



## Our Mistakes

Utility

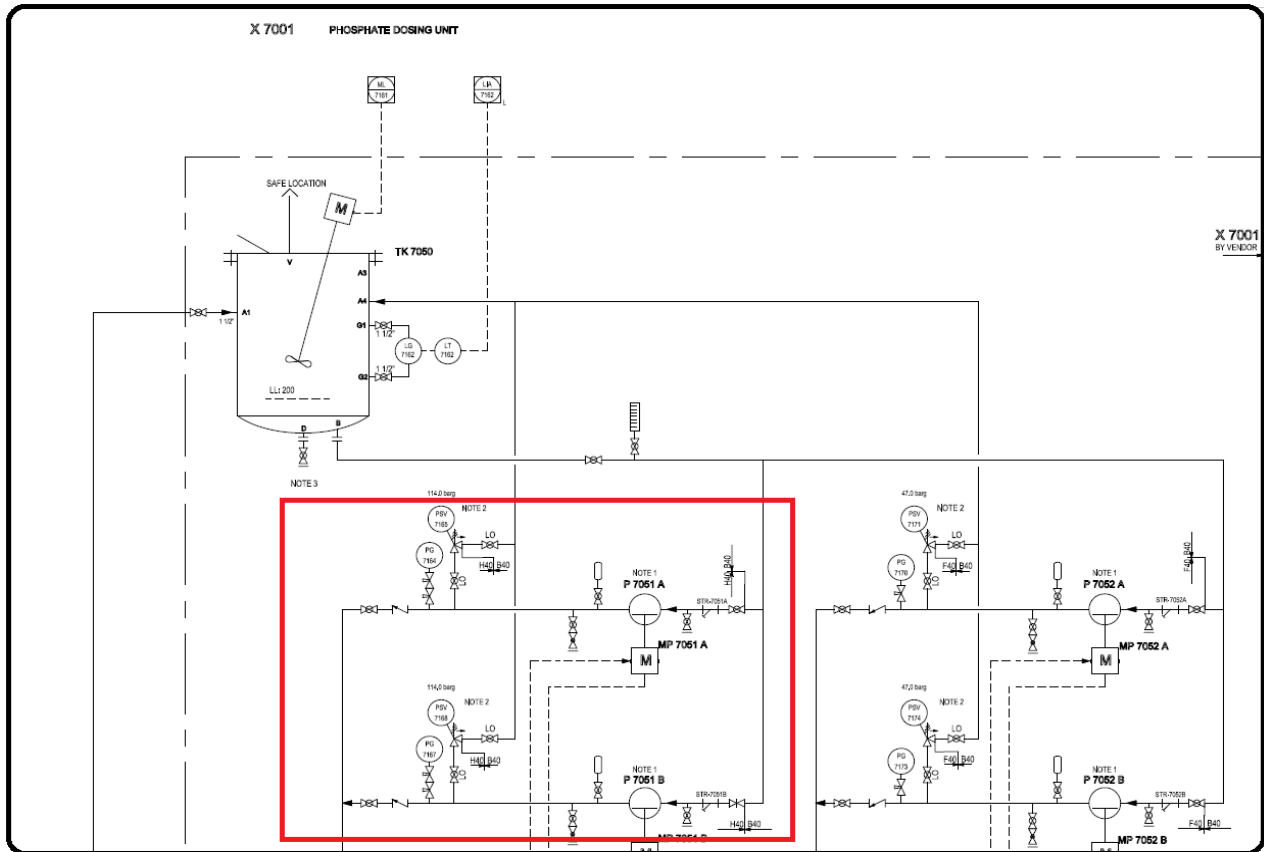
Chemicals



### Problem

Sometimes the line between dosage pumps and steam drum becomes choked.

### P&ID



### Cause

High concentration of chemicals.

### Effect

Water chemistry

### Solution

Lowering the concentration of water in the storage tank.